



# When Communication is Life or Death

## CEL-FI GO RED *FirstNet Booster*

### Smart Cellular Solution

The Cel-Fi GO RED FirstNet Booster delivers cellular coverage in buildings for emergency communications from police, fire, and medical personnel. Cel-Fi GO RED with the Cel-Fi Antennas is the best way to ensure coverage in an emergency situation. Communication is not optional in critical times, rely on equipment that ensures the best coverage.

- **Boost FirstNet Band 14 and AT&T Band 12**
- **Up to 100dB Max Gain**
- **4G / LTE Voice and Data**
- **Up to 15,000 Sq. Ft. Coverage**
- **Indoor / Outdoor NEMA 4 Rated**
- **Network Safe**



G32-12/14  
G32-3/20



# Specifications

**Rated Output Power:** Uplink: 24 dBm  
Downlink: 16 dBm

Band 12		
Downlink (DL) Frequency	729 MHz	746 MHz
Uplink (UL) Frequency	699 MHz	716 MHz
Band 14		
Downlink (DL) Frequency	758 MHz	768 MHz
Uplink (UL) Frequency	788 MHz	798 MHz

**Power** 9.6–16.5V  
2A current draw  
16W nominal power consumption

**Environmental** Operating temperature: 0° to 65°C  
Convection Cooling  
Relative humidity: 0% to 95%, noncondensing  
RoHS 2 (European and China compliant)  
WEEE  
NEMA 4  
Surface Temp at any point (30° ambient): 53°C

**Installation** Mounting hardware included

**Antenna Ports** 699–798 Mhz  
(Donor and Server)  
Impedance: 50 Ohm

GO RED	
96.5x43.25x272.5 mm	850 g

**DC Power Plug and Jack** NEMA 4 rated power plugs and jack

**Compliance** 3GPP TS 25.143 Rel.10  
(check individual product version for specific)  
3GPP TS 36.143 Rel.10  
FCC Part 15, 90  
Bluetooth BQB  
CE

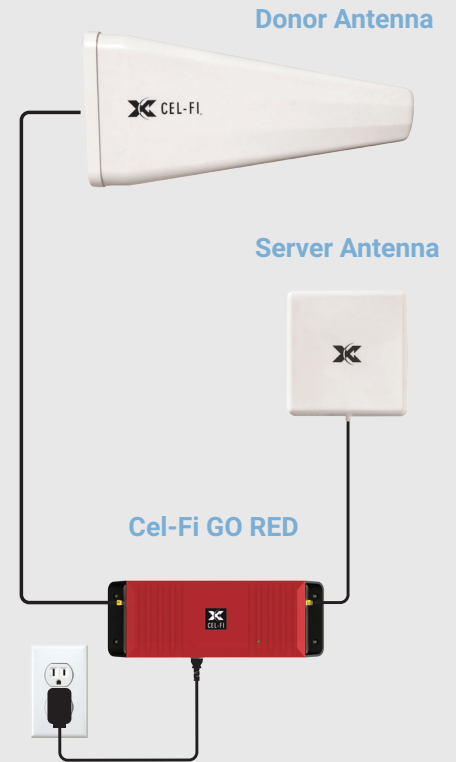
**System Management** Supports Cel-Fi WAVE cloud portal  
(software)  
Cel-Fi WAVE Portal capability:

- Status (list and map)
- Commissioning
- Diagnostics
- Software Updates
- Settings
- Reporting
- Alarms & Notifications

Model:	Band	Name	Downlink		Uplink	
(G32-12/14)	12	700 a	729	746	699	716
	14	FirstNet	758	768	788	798

Model:	Band	Name	Downlink		Uplink	
(G32-3/20)	3	1800+	1805	1880	1710	1785
	20	800 DD	791	821	832	862

# How It Works



## Cel-Fi GO RED Configurations:

Number of Cel-Fi GO RED FirstNet Boosters and coordinating antennas are based on the size of building, building materials, and wall configurations.

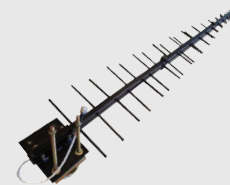
# Antenna Options



Cel-Fi Wideband Panel Antenna



Cel-Fi Indoor Omni Antenna



Cel-Fi LPDA Antenna



Cel-Fi Wideband Directional Antenna